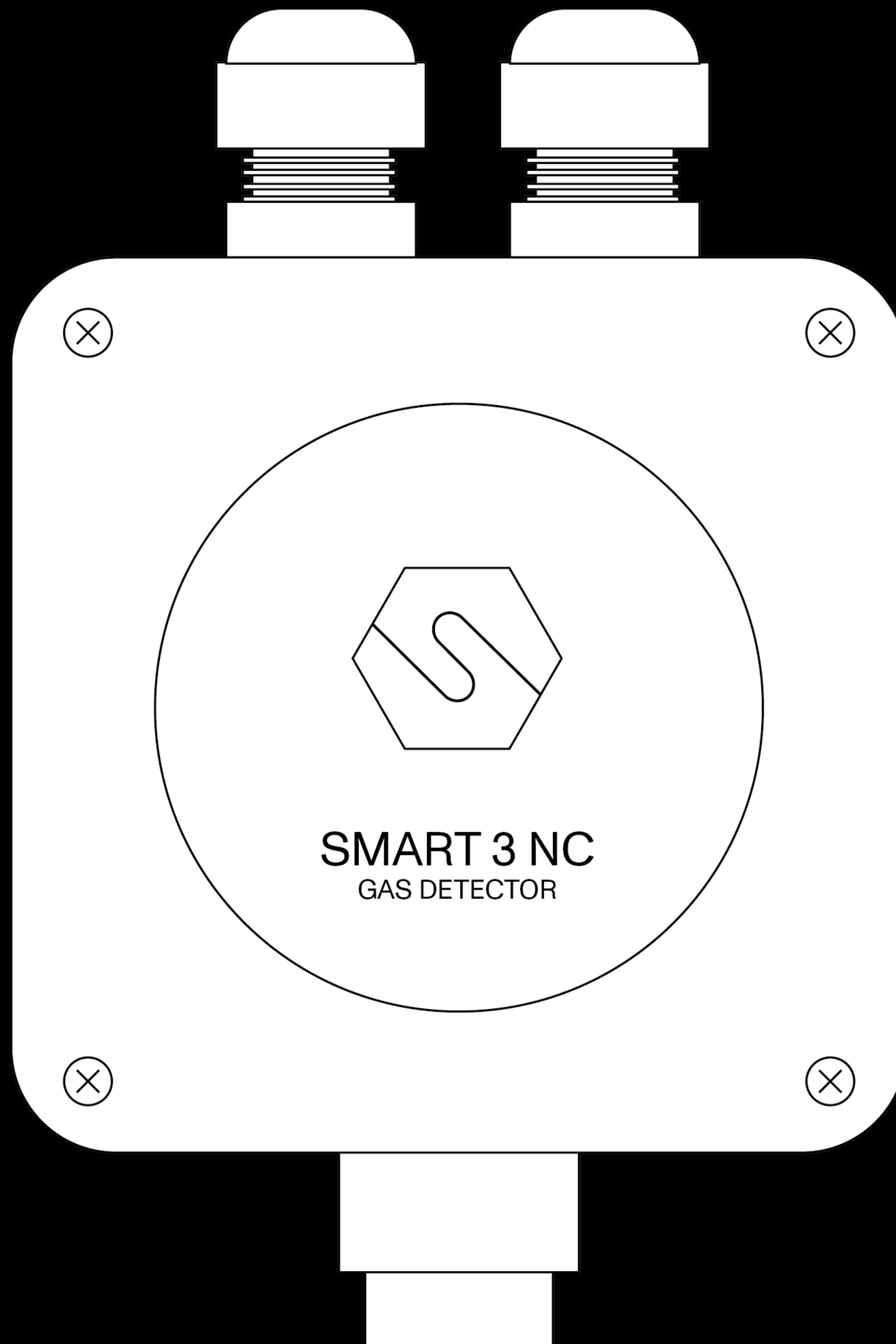


SMART 3 NC

With infrared sensor



Datasheet





SMART3 NC gas detector is designed to be installed in non-classified area and car parks. The sensing element is placed in an aluminum enclosure. SMART3 NC is equipped with an infrared sensor for carbon dioxide gas detection. The gas detector has a 12-24 Vdc power supply and a standard 4-20 mA 3-wires output. Optionally, the SMART3 NC can be equipped with serial RS485 communication and a 1 or 3 relays board. The plastic enclosure has dimensions 106 x 160 x 54 mm, on the upper side there're two M20 cable glands.

Sensor

Application	Car parks, laboratories and non-classified areas
Sensing element	Infrared
Predicted sensor lifetime	4 / 5 years
Gas detected	CO ₂
Fullscale	0 - 5000 ppm

Electrical data

Power supply	12-24 Vdc
Output	Analogue 4-20 mA output; 1 or 3 relay board (optional); serial RS485 output (optional)
Absorption	77 mA
Relays contact ratings (on the optional board)	1.0 A at 30 Vdc
Optical indications	-
Acoustic indications	-
Hall effect sensor	-

Environmental conditions

Storage temperature	-20 / +60°C
Operating temperature	-20 / +60°C
Operating humidity	0 / 90% RH

Compliance

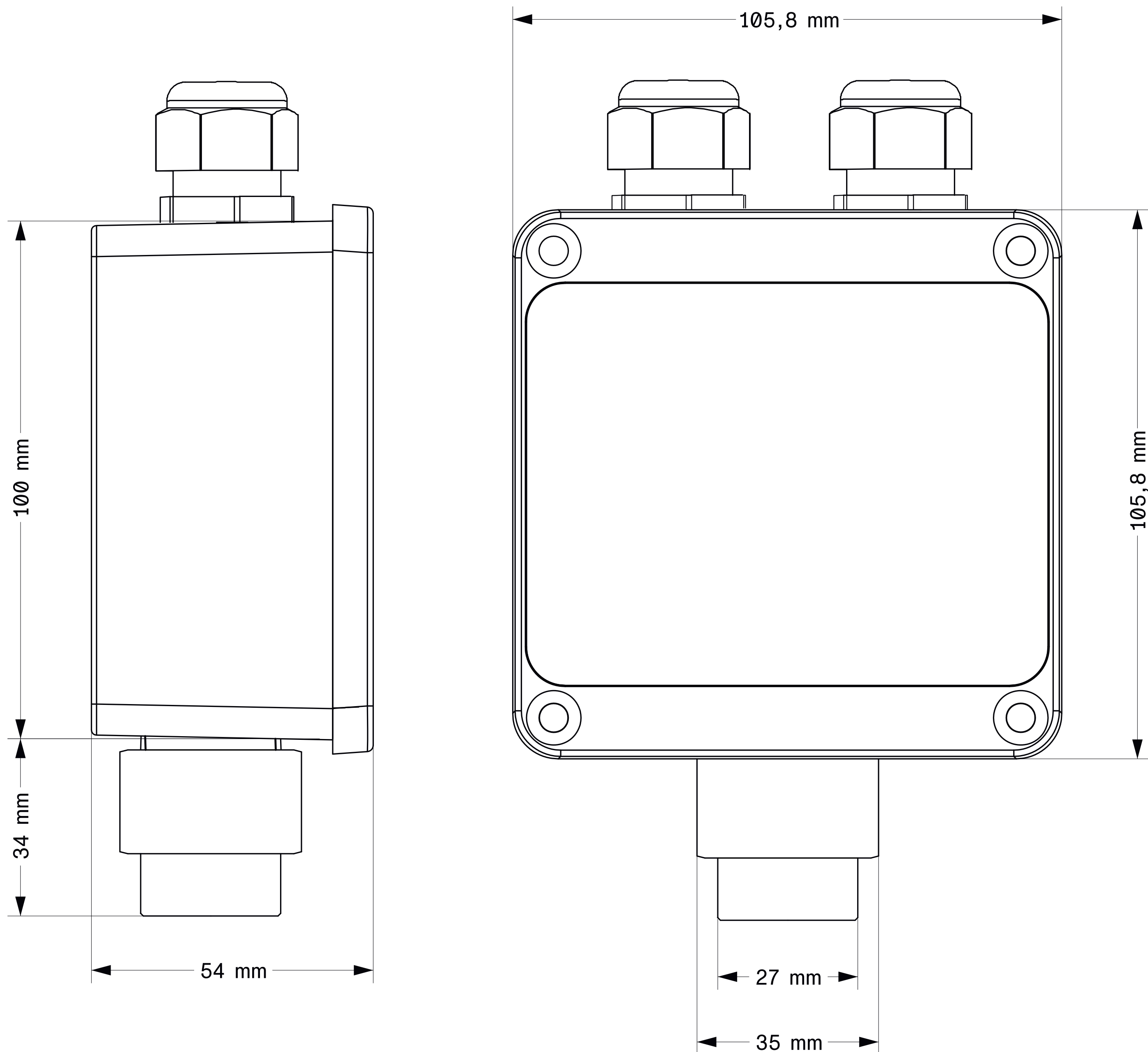
EMC	EN 61000-6-3:2007 + A1:2011; EN 50270:2015
-----	--



External case

Material	Enclosure: Polycarbonate Sensor head: Aluminum
Dimensions	Box: 100 x 100 x 52 mm Cover: 105.8 x 105.8 x 7.8 mm
Weight	250 g
Cable entries	2 x M20
IP grade	IP55
Product codes	
S2401CO2	Carbon dioxide gas detector 0-5000 ppm

Mechanical drawings



Contatti/Contacts

Viale della Repubblica, 48
20007 Cornaredo (MI) – ITALY

+39 0293548155
sales@sensitron.it
sensitron.it

Sensitron S.r.l.

